



20/2A Tangarra Street East CROYDON PARK NSW

2 1 1

Quietly positioned in arguably Croydon Park's finest apartment complex, lies this beautifully presented "House Like" top floor apartment with leafy views. With an abundance of natural light throughout and extremely practical layout, those who inspect will surely be left impressed. Located only moments to all amenities, seconds to CBD transport and local attractions.

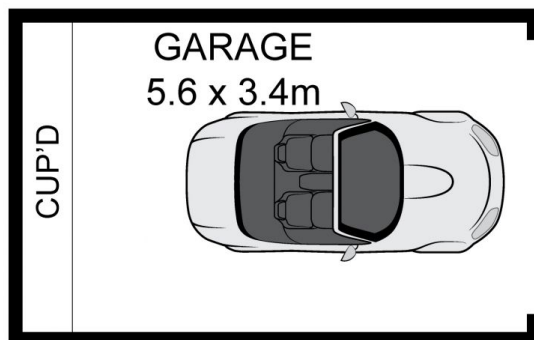
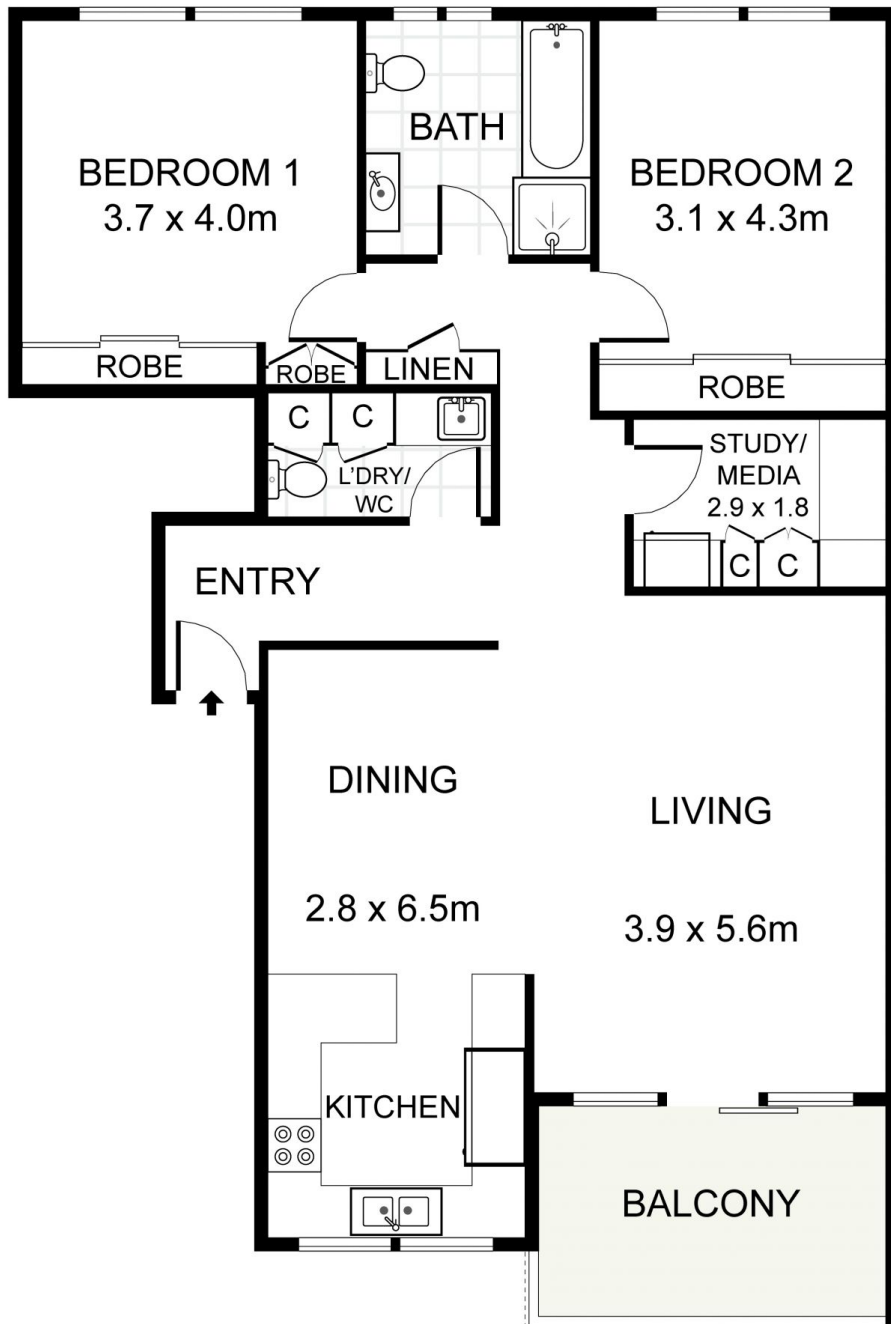
Type : Apartment
Land Size : 130 sqm
View : <https://www.trueproperty.com.au/sale/nsw/inner-west/croydon-park/residential/apartment/7682367>

- = Two spacious bedrooms, both with built-in wardrobes
- = Study/third room including custom built cabinetry
- = Open plan separate living area leading to a private and covered balcony with leafy views
- = Gourmet granite kitchen with "Miele" stainless steel appliances, ample storage and breakfast bench
- = Air conditioning and internal laundry with second W/C

[For full version visit the website](#)



Michael Catalano
02 8507 2444



true =
PROPERTY

20/2A Tangarra Street East, Croydon Park

DISCLAIMER: PLANS SHOWN ARE FOR PRESENTATION PURPOSES AND ARE NOT PART OF ANY LEGAL DOCUMENT. ALL MEASUREMENTS AND FIGURES ARE APPROXIMATE.